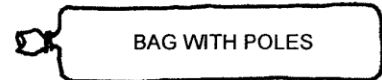
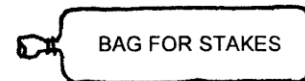
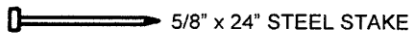


## ALL PURPOSE CANOPY PARTS LIST

PARTS	CANOPY SIZE			
	10' x 10'	12' x 12' THROUGH 20' x 20'	20' x 30'	20' x 40'
SIDE POLE	4	8	10	12
CENTER POLE	1	1	2	3
5/8" x 24" STEEL STAKES	8*	12*	14*	16*
BAG WITH TOP	1	1	1	1
BAG FOR POLES	1	1	1	1
BAG FOR STAKES	1	1	1	1

\* IMPORTANT NOTE: REFER TO CAUTION STATEMENT #2 FOR IMPORTANT WARNING ABOUT NUMBER OF STAKES SUPPLIED. (SEE BACK PAGE OF THIS MANUAL)



### MANPOWER REQUIRED

Two installers should be able to assemble an All Purpose Canopy in approximately thirty minutes.

### TOOLS REQUIRED

Sledge Hammer

### INSPECT SITE

#### CAUTION:

Consult your local utility locator service or the National Utility Locating Contractors Association (NULCA) prior to installation.

Prior to actual tent assembly, be sure to look up, down, above & below for obstacles, pipes, wires, trouble, etc.

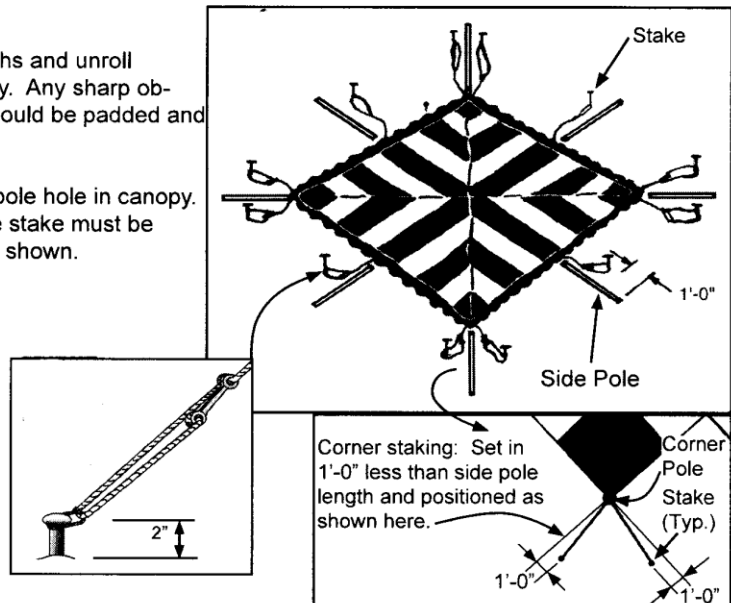
### LAYOUT & CHECK

Use parts list for a quick identification and check list for proper quantities.

## 1. LAYOUT AT SITE

20' x 20' canopy used as example. Spread drop cloths and unroll canopy at exact position of desired finished assembly. Any sharp objects which must remain on site under the canopy should be padded and taped.

Assemble side poles and lay straight out from each pole hole in canopy. Drive a stake 1'-0" in from the end of each pole. The stake must be driven through the ring attached to each guy rope as shown.



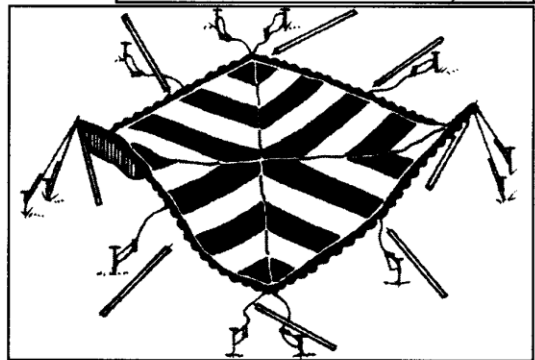
## 2. RAISE SIDE POLES

Start at opposite corners.

Insert side poles into pole holes and raise so that bottom of poles slant toward center of canopy.

Adjust guy rope.

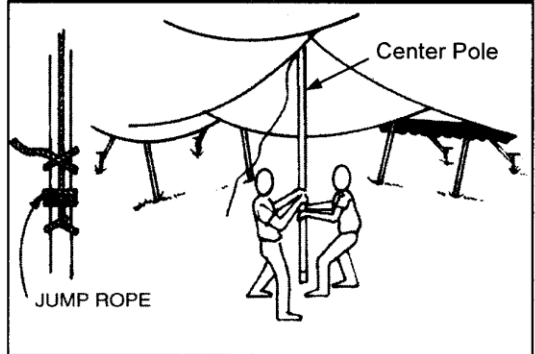
Continue with other two corners and then sides.



## 3. RAISE CENTER POLE

Assemble three-piece center pole and insert into center pole hole.

Raise to upright position and tie off jump rope to pole.



## 4. SIDE POLE ADJUSTMENT

Tighten guy ropes and then set side poles to upright position.

Adjust pole positions and guy rope tension to properly pull out canopy.

Protective covers are recommended for all stakes.

## 5. TAKE DOWN

Loosen all guy ropes.

Spread drop cloths.

Reverse steps 1 through 4 for disassembly.

### **Important:**

Check guy ropes periodically for tightness and good condition. Store canopy in a cool, dry area. Never store while wet or damp.

